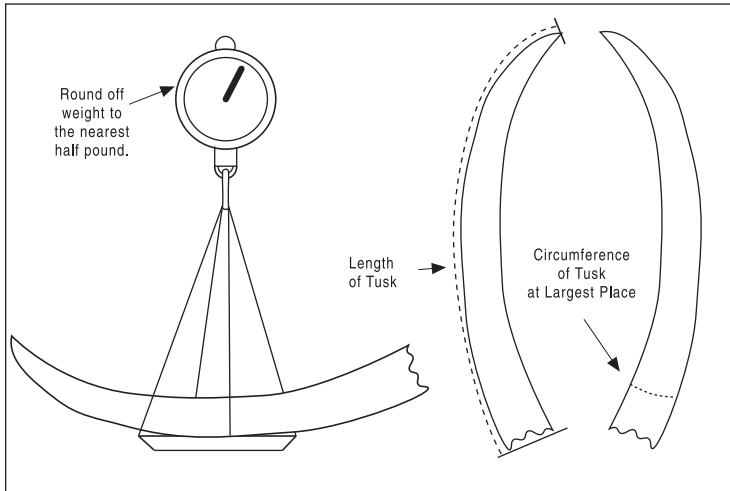




SAFARI CLUB INTERNATIONAL

# METHOD 14 ENTRY FORM

For elephant tusks



Animal \_\_\_\_\_

Remeasurement?  Yes  No Former Score \_\_\_\_\_ Record No. \_\_\_\_\_

Date Taken \_\_\_\_\_  
Month / Day / Year

Rifle  Handgun  Muzzleloader  Bow  Crossbow  Picked Up

Place Taken \_\_\_\_\_  
Country \_\_\_\_\_ State or Province \_\_\_\_\_

Locality \_\_\_\_\_  
(GMU, Mtn Range, Ranch, City, Town)

Guide \_\_\_\_\_ Hunting Co. \_\_\_\_\_

Hunter \_\_\_\_\_  
How you want your name to appear in the Record Book

Membership No. \_\_\_\_\_ Phone \_\_\_\_\_

e-mail \_\_\_\_\_

Address \_\_\_\_\_

I certify that, to the best of my knowledge, I took this animal without violating the wildlife laws or ethical hunting practices of the country or province in which I hunted. I also certify that, to the best of my knowledge, the laws of my country have not been violated by my taking or importing this animal.

Free-ranging  Yes  No (REQUIRED)

Signature \_\_\_\_\_

The acceptance or denial of all entries are at the discretion of Safari Club International, its Board and committees. Entries are subject to review by the Record Book Committee of SCI at any time. All photos and entries submitted to SCI become SCI's property.

Submit to: Safari Club International 4800 W. Gates Pass Rd., Tucson, AZ 85745 USA

Active SCI Membership Required to submit an entry

- \$35 R.B. Entry Fee
- \$90 R.B. Entry Fee & Medallion Award
- \$150 R.B. Entry Fee, Photo Medallion & photo upload to the Online Record Book

**New Membership Offer** Domestic / International  
 1 Year New Membership Only \$35 / \$60

**Membership Renewal** Domestic / International  
 1 Year Membership \$65 / \$90  
 3 Year Membership \$150 / \$225

**Membership - Digital Publications Only**  
 1 Year \$35 All Countries  
 3 Year \$60 All Countries

**To enter into Record Book and/or purchase a Medallion:**

- 1) All entries must be complete, signed by hunter and accompanied by fees and photographs of the trophy.
- 2) Field photos must be submitted in order to process the entry.  
 For animals with branched antlers: include enough photos so that all tines are clearly visible
- 3) Clearly label back of photo with hunter's name, species name, and date taken

We Accept:  MC  Visa  AMX  Discover  Diners Club

Card Number \_\_\_\_\_ Expiration Date \_\_\_\_\_  
 US Currency only. Credit Cards Preferred

I. Weight of Tusk L \_\_\_\_\_ /2 lb. R \_\_\_\_\_ /2 lb.

II. Total Score

/2 lb.

### Supplemental Information

Length of Tusk

L \_\_\_\_\_ inches R \_\_\_\_\_ inches

Circumference of Tusk at Largest Place

L \_\_\_\_\_ inches R \_\_\_\_\_ inches

Measurer \_\_\_\_\_

Date Measured \_\_\_\_\_ Measurer No. \_\_\_\_\_  
 Month / Day / Year

E-mail \_\_\_\_\_

Signature \_\_\_\_\_